

# ***ELKO!***

**Racing • Eve of Destruction • Drive-In**

## **\*2026-2027 THUNDERCAR RULES \***

***These rules may be amended at the official's discretion.***

***Revised January 2026***

### Section:

- A. Models
- B. Body
- C. Bumpers
- D. Glass
- E. Roll Cage & Chassis
- F. Engine
  - A. Standard Engine
  - B. 602 Crate Engine
- G. Electrical
- H. Cooling System
- I. Exhaust
- J. Fuel System
- K. Fuel Cell
- L. Drive Line
- M. Suspension
- N. Steering
- O. Brakes
- P. Tires
- Q. Wheels
- R. Weight & Height

### Body Dimensions:

Pages 10-15

Additions and Updates on Page 17

**\* No additions, subtractions, alterations, or non-OEM type parts allowed unless specifically allowed in the rules. Visiting cars will be allowed to run at Tech Officials discretion. \***

**A. Models:**

1. Stock off the street, American made, rear wheel drive, passenger cars as purchased from the factory with no modifications or alterations except as specifically allowed in these rules.
2. No convertibles, trucks, jeeps, station wagons, etc.
3. Wheelbase must not be less than 108".
4. No Station wagons, Dusters, or other Uni-body cars unless the wheelbase is 112½" or more.
5. Non-GM body, engine & transmission combinations may be used on a GM chassis; chassis components must be GM parts or direct replacement and are subject to the rules in section 13.
6. Maximum track width of 63½" for 108" wheelbase and 66" for 112" or greater wheelbase.

**B. Body:**

1. Bodies must remain stock appearing and reasonably match OEM dimensions.
  - a. **Must match body dimensions shown in drawings Pages 10 - 15**
2. Any deviations must have prior Officials specific approval.
3. All exterior trim, lights & lenses must be removed, and holes covered with minimum 24-gauge sheet steel.
4. All body panels may be steel, aluminum but must be stock appearing, exceptions noted below.
  - a. Nose and tail section may be plastic.
  - b. **Plastic front fenders will be allowed.**
  - c. **Fiberglass hoods may be used.**
  - d. **Fiberglass roofs may be used.**
5. All cars must meet minimum side window dimensions. **See Page 11.**
6. Maximum 5" tall side skirts may be aluminum. Side skirts must be within 10° of vertical.
  - a. Fixed side skirts allowed, provided they extend between the wheel openings and meet the ground clearance rule.
  - b. No other aerodynamic devices allowed.
7. Aftermarket nose and tail must remain as manufactured and unaltered.
  - a. Aftermarket nose may be modified to allow for air flow to the radiator, adjustable nose skirt and brake duct holes only.
8. Body panels may be gutted.
9. Altered interior allowed with 1/8" thick steel seat plate.
10. Rub rails allowed on both sides of car with official's approval.
11. The trunk floor may be removed.
12. The hood must be secured with 4 hood pins near the front edge of the hood and either 2 hood pins or hinges on the back side of the hood.
13. Hood scoops and fiberglass cowls are allowed if they remain non-functional and sealed to the hood and windshield.
14. Fuel cell access panel must be a minimum of 12" front to back and hinged or tethered at the front edge;
  - a. **No tools shall be used to gain access to fuel shut-off valve.**
15. No dishing, panning, or altering of rear deck, fenders, quarter fenders, etc....
  - a. Rear deck must always remain flat.
  - b. 24-gauge steel or aluminum aftermarket panels are allowed.
16. All interior plastic & fabric must be removed.

17. All holes, from the trunk area to the engine compartment, must be sealed with minimum 24-gauge sheet steel.
18. Maximum spoiler height is 5" measured from the deck lid up and must be the same height the full length of the spoiler.
  - a. Maximum surface area of the spoiler is 300 square inches.
  - b. Spoiler must be single plane from the deck lid, centered on the car, and the ends of the spoiler must be at a right angle to the top.
  - c. Spoiler may be plastic or aluminum.
19. Cars with an all-steel body except for the roof will be given a 50# weight break.
20. Door window openings must be totally unobstructed except for driver's side window net as outlines in the Safety Section under General Rules.

#### C. Bumpers:

1. Steel tube front and rear bumpers are required.
  - a. Bumpers must be centered at 19 inches from the ground, +/- 2inches.

#### D. Glass:

1. All side and rear glass must be removed.
2. A glass or 1/8" thick Lexan™ windshield of, approximate size, angle and configuration must cover the windshield opening.
3. A Lexan™ windshield must have 2 vertical braces near the center to support the windshield.
4. Rear windows and quarter windows may be covered with Lexan™.
5. Quarter windows may be covered with minimum 24-gauge sheet steel.
6. Maximum 2 mirrors per car, any location.
  - a. Interior: 48 Square inch interior mirror – (Standard Fivestar style mirror) 2-3/4"x17-1/2"
  - b. Exterior: 5" Maximum diameter round
7. No multi-focal point mirrors.

#### E. Roll Cage & Chassis:

1. A minimum 6 point properly installed roll cage of 1 3/4", 090.wall, and steel roll cage tubing is required.
2. The roll cage must be securely fastened to the OEM frame.
3. Minimum halo width is 35".
4. Unibody cars must secure the cage to 10" X 10" X 3/16" sandwich plates bolted through the floor.
5. The main hoop must be located behind the driver and extend as close to the roof and sides of the car as possible.
6. The main hoop must be braced from the top, down and back, to the frame.
7. Some type of 'X' bracing must be installed between the uprights of the main hoop.
8. A minimum of 4 left side door bars must be installed.
  - a. 2 vertical bars must be installed between each level.
  - b. Left side door bars and foot area must be fully plated with 1/8" steel.
9. A minimum of 3 door bars, or an 'X' must be installed on the right side.
  - a. These door bars do not have to follow the contour of the body provided there is a rub rail support bar installed.
10. No bars may extend beyond the contour of the car body.
11. No use of pipe fittings, weld ells, square tubing, exhaust pipe, etc.
12. All welding must be done with an electric welder.
13. All cages will be inspected for quality of construction.
14. The chassis must remain stock forward of the rear axle.
15. The rear frame rails may be replaced with 2" X 3" X .090" steel tubing from the centerline of the rear axle back.
16. Front frame clip may be replaced with a DCA clip.
  - a. DCA or Johnson for 108" wheelbase cars.

b. **Howe Racing for 116" Cars**

- c. DCA serial number required. DCA front clip will still be allowed along with replacement front clips from Johnson Chassis from Kannapolis, NC. Johnson Chassis serial number on front clip required.

**F. Engine:**

**A. Standard Engine:**

1. Blocks and heads must be OEM mass-produced stock, cast iron, street applicable only.
2. No high performance or special heavy-duty blocks or heads.
3. No removal or addition of metal to any part unless specifically allowed as follows.
  - a. Main bearing saddles may be line bored, rotating assembly may be balanced
  - b. Valve seats may be ground for a stock type 3-angle valve job with no angle greater than 75°
  - c. Heads and deck may be machined to improve sealing but stock angle must be maintained,
  - d. Rocker arm stud bosses may be machined for screw-in studs and guide plates.
4. Stock type rods may have cap screws and polished beams.
5. No H-beam, titanium, or aluminum rods.
6. No spacers between heads and intake manifold, or heads and block.
7. 1 head gasket per head.
8. Maximum displacement: (Engines over max CID below will not be allowed.)
  - a. 350 CID plus .060" overbore for GM. Maximum displacement 362 CID.
  - b. 351 CID plus .060" overbore for Ford. Maximum displacement 362 CID.
  - c. 360 CID plus .060" overbore CID for Mopar. Maximum displacement 368 CID.
9. Stock type steel or cast-iron crankshaft only with no modifications except for balancing.
10. No knife-edge or light weight crankshaft allowed.
11. An oil pan inspection hole required, must be located on the driver's side in line with the 2nd or 3rd rod journal, or crankshaft, with a 3/4" NPT inspection hole in pan on opposite side of windage tray.
12. Stock bore/stroke configuration only.
13. Stock firing order only.
14. Compression ratio may not exceed 10.8:1.
15. Ford may not use 4V Cleveland heads,
16. Mopar may not use W-1 or W-2 heads,
17. GM may not use Turbo, Angle Plug or Bowtie heads.
18. Vortec heads are allowed on small block Chevy engines.
19. Stock valve stem size for heads.
20. Stock type rocker arms only.
21. Chevy engine may use 1.5:1 ratio steel or aluminum roller rocker arm.
  - a. **Comp Cams rocker number #1604-16 will be allowed**
22. Ford Engine may use stock ratio roller rocker arms for motor and heads.
23. No shaft type roller rocker arms.
24. No rocker stud girdles.
25. Valve springs must be stock type and may not be oversized.
26. Oil feed lines to the valve covers not allowed.
27. No large diameter or 'mushroom' type lifters.
28. Maximum valve lift is .500".
29. Flat tappet camshaft and hydraulic or solid lifters or Roller cam shaft with roller lifters
  - a. **Motors with roller cam shafts and roller lifters will be reevaluated for weight after the third race.**
30. Vortec heads, #060, #062 or #906, allowed with maximum valve head size of 1.94 intake, and 1.50 exhaust.

- a. Engine Quest Vortec replacement head, part # CH350C is allowed with no modifications.
  - b. **World Products part # World #043610 is allowed with no modifications**
31. Intake manifold, all makes and engines must use Edelbrock 'Performer' or Edelbrock 'Performer RPM' with no modifications.
  32. All engine parts must be Ford-to-Ford, GM-to-GM, and Mopar-to-Mopar.
  33. Absolutely no coatings of any type to the internal surfaces of the block, heads, intake manifold, exhaust manifold, and exhaust pipes.
  34. All engines must be located so that the furthest forward spark plug is in line with or ahead of the lower ball joint's centerline.
  35. Minimum crankshaft centerline height 10.5" (front and back).
  36. Maximum offset (right left) 1".

#### **B. 602 GM Crate Engine:**

1. Must be purchased NEW from a GM dealer.
2. Motors may **NOT** be rebuilt or repaired.
3. Inspection plug in the oil pan is mandatory.
4. Only Murgic's Auto is authorized to perform this work and will reseal the pan with their seals.
5. Any new Crate engine purchased after 2018 season; oil pan inspection plugs not required.
6. MSD Soft Touch rev control, part #8727CT must be used. Max 6400 RPM. Box must be mounted within 16" of the passenger window opening and read out must face passenger window opening.
7. MSD factory wiring harness must be used and wired directly to the distributor.
8. Pump premium fuel only.
9. Fuel must meet the properties of the track fuel.
10. **100-pound weight break with the GM 602 Crate Motor; percentages will remain the same.**
11. Valve spring and rocker arms may be replaced as maintenance items and must be GM OEM per 'Circle Track Crate Engine Technical Manual'.
12. Holley 650HP series 4150, part #80541-1 only.
  - a. Must be as manufactured.
  - b. Re-jetting is allowed.
  - c. All parts must be Holley OEM.
  - d. One carb base gasket, maximum of .250" thick, must have four holes maximum of 1.8" bore, no open plenum gaskets allowed.
  - e. NO spacer plates allowed.

#### **G. Electrical:**

1. 12-volt electrical system only.
2. **The battery must be securely mounted behind the driver, with min 1/8" steel strap**
3. OEM factory stock distributor ignition system only.
4. Open type module may be used, but it must fit inside the distributor.
5. **Rev limiting devices allowed on built engines.**
6. No MSD, or similar, ignition systems, **unless noted elsewhere**
7. Self-starter must be in good working order.

#### **H. Cooling System:**

1. A minimum 2-quart overflow can must be securely installed in the engine compartment.
2. A fan shroud must cover the top ½ of the fan.

3. Radiator cooling fan can be belt driven with the water pump or Electric.
4. Full air box allowed for radiator cooling.

#### I. Exhaust:

1. Stock cast iron exhaust manifolds only with no modifications.
  - a. No Corvette center dumps or other high performance exhaust manifolds.
  - b. Exhaust manifolds must be GM-to-GM, Ford-to-Ford, etc.
2. Dual exhaust system only.
3. Left and right exhaust pipes may not be connected in any way.
4. Turndowns at the rear of the muffler may be no more than 4" long.
5. Spec header only; 1<sup>5</sup>/<sub>8</sub>" max primary; over/under chassis routing permitted.
6. No stainless collectors.
7. No 180° headers and no step headers.
8. 3" max pipe before the muffler or Y-pipe.
9. Exhaust must exit behind the Driver under the Car or Exhaust may exit the right-side door.
10. No body-panel modification for exhaust clearance.
11. **Approved Headers:**
  - a. GM: Cyclone 10S10, Black Jack 93020, Schoenfeld 135/145/185, Hedman 15800.
  - b. Ford: Howe H-3020, Howe 380-1, Dynatech 04-64500, Schoenfeld 335/335N.
  - c. Mopar: Schoenfeld 455, Dynatech 35-14520

#### J. Fuel System:

1. Pump premium fuel only. Fuel must meet the properties of the track fuel.
2. A clearly marked fuel shut-off valve must be installed near the fuel cell. and be clearly marked 'ON' & 'OFF' and readily accessible to Track Officials
  - a. No tools shall be used to gain access to fuel shut-off valve.
3. Fuel line and vent line must exit from the top of the cell.
4. No fuel lines may run through the driver's compartment.
5. Stock type mechanical diaphragm fuel pump only.
6. No fuel pressure regulators between the fuel pump and the carburetor.
7. Fuel must meet the properties of the track fuel.
8. A Holley 500 cfm 2-barrel carburetor model #4412 only with no modifications except as follows:
  - a. Jets, accelerator pump diaphragm & cam, and power valve may be changed.
  - b. The choke butterfly & related linkage may be removed;
  - c. Idle holes may be drilled in the throttle butterflies;
9. E85 carb may use a billet metering block.
10. The Keith Dorton 500 cfm carburetor # 0-80583-1 is allowed.
11. Carb spacer max thickness 1.625" including gaskets straight bore full height.
  - a. Flat on top flat on bottom 2 main holes 1.80" diameter max any material.
  - b. No open plenum gaskets allowed.
  - c. Carburetor and carb spacer gaskets must match the opening on the carb spacer 1.80" diameter maximum.
12. No cold air boxes.
13. Carb hats are allowed.

#### K. Fuel Cell:

1. A maximum 12-gallon fuel cell is required.
2. The fuel cell must be mounted to the rear frame rails with minimum 1" square tubing, centered between the frame rails.
3. The fuel cell must maintain 10" ground clearance.
4. A fuel cell protection bar must be installed behind the fuel cell made of 1 3/4" .090 steel tubing.

#### L. Drive Line:

1. Any stock automatic transmission allowed,
  - a. GM-to-GM, Ford-to-Ford, etc.
2. All forward gears and reverse must work.
3. Functional torque converter only with a minimum diameter of 10".
4. No direct drive or lock-up type torque converters.
5. A manual stock OEM transmission will be permitted.
  - a. Manual transmissions must utilize stock all magnetic steel type pressure plate and magnetic steel or cast-iron flywheel (min 15.5lbs.).
  - b. Clutch disc must be a minimum of 10" diameter with stock full fiber disc.
  - c. All gears must be operable, maximum 4 forward gears/ 1 reverse.
  - d. No straight cut gears or gun-drilled main shafts, no lightening of gears on main shaft.
6. Steel, 2 1/2" minimum diameter, drive shaft must be painted white.
7. A driveshaft safety hoop is required approximately 12" behind the transmission.
8. OEM stock passenger car rear axle, GM to GM, Ford to Ford, etc., except noted below #15, 16, and 17.
9. No Gun Drilled Axels allowed on any rearend assemblies.
10. No aftermarket rear-ends housings allowed.
11. Locked or open differential only.
12. C-clip eliminator replacement carriers are allowed.
13. No torque sensing, limited slip or locker type differentials.
14. No cambered rear ends.
15. Ford 9" magnetic steel housing allowed, unlocked, or locked by welding or spool only.
  - a. Magnetic steel spools only.
16. If using 9" Ford rear end, upper control arm mounts on frame may be raised a max of 1", lower control arm mounts on rear-end will only be allowed to run in stock location.
17. All cars will be allowed to use a floater type rear end.
18. No lightweight rear end gears allowed.

#### M. Suspension:

1. Stock unmodified upper and lower rear control arms and stock unmodified front lower 'A'-arms only.
2. Rear upper and lower trailing arm lengths must be the same side to side.
3. Front upper 'A'-arms must be nonadjustable, all steel, one piece design, with stock type shaft.
4. Front upper control arm mounts may be relocated, and aftermarket slotted mounts may be used.
5. Left front lower 'A'-arm may not be used on the right side, and right front lower 'A'-arm may not be used on the left side.
6. Lower 'A'-arms must match chassis. Stock-type re-buildable ball joints allowed.
7. Any stock spindles may be used, but must be GM-to-GM, Ford-to-Ford, etc.

8. Urethane bushings with no offset may be used.
9. All other components must remain stock and in stock locations, except where otherwise stated.
10. Springs may be minimum 5" diameter racing springs.
11. Screw jacks allowed on all 4 corners.
12. No remote suspension adjusting devices.
13. Stock type sway bar may be mounted below the lower 'A'-arms.
  - a. No part of the rear sway-bar system may remain in the car.
14. Shock Absorbers allowed:
  - a. QA1: 5Q,50,51 & 26 series
  - b. Pro: TA, AFCO: 10 series (blue)
  - c. Carrera: 31 series,
  - d. Old white AFCO's and Pro WBs.
15. Only one shock absorber per suspension corner.
16. Front shocks may be located outboard
17. Rear shocks must be mounted both in front of, **or** both behind of the rear axle housing.
18. No other use of heims in the suspension.
19. No bump-stop or coil-bind suspension systems.
20. No bump stops/rubbers, compression or rebound limiting, coil-bind coil spring devices allowed.
21. No travel limiting devices such as chains, bolts, straps, etc.
22. Rear axle droop chains are allowed with a minimum of 3" of quarter panel travel before the tire comes off the ground when the frame is jacked up.
23. Rear lower trailing arm must be mounted in the stock location at the axle and in the same location side to side.

#### **N. Steering:**

1. OEM stock manual or power steering box only.
2. No ratio multipliers.
3. Aluminum tie rod adjusting sleeves allowed. 5/8" heim joints may be used for the outer tie rod end.
4. Steering shaft may be aftermarket, but must be collapsible, and/or use 2 u-joints.
5. Heim joints may be used in steering column only.
6. Steering wheel may be removable, and the center of the steering wheel must be padded.
7. All steering parts must be OEM equivalent for the chassis, unless otherwise noted.
8. **Adjustable steering center link allowed.**

#### **O. Brakes:**

1. Front and rear brakes may be disc or drum.
2. No aluminum brake drums.
3. Howe or OEM, stock type, cast iron, single piston brake calipers only.
4. One stock type master cylinder only.
5. One brake bias adjuster allowed.
6. All brake pads must be functional.
7. One 3" cold air brake duct allowed per side on front brakes,
  - a. Brake duct must enter through the nose and be pointed at the calipers only.
8. No electric brake blowers.
9. **Rotor fan plates allowed. (Ultra Cool Brake Fan type part # UCBLMBFS5-625L or R Style as an example.)**
10. Aftermarket steel front rotors and hubs allowed.
11. Steel braided hose allowed from the caliper to the steel hard line.

**P. Tires:**

1. Elko Speedway track tires only. (See separate tire rule.) No use of tire softener or altering of the tires in any way.
2. Hoosier D-810 tire only.
  - a. See Competition Tire(s) Rule in General Rule Section.
  - b. See Elko Speedway Tire for purchase information.

**Q. Wheels:**

1. Steel racing wheels are required.
2. 8" maximum wheel width.
3. 2" minimum offset measured from mounting face to bead flange.
4. 1" lug nuts are required on all wheels. 5/8" studs allowed.
5. Up to ¾" wheel spacer maximum allowed.
6. One wheel spacer per wheel only.

**R. Weight & Height:**

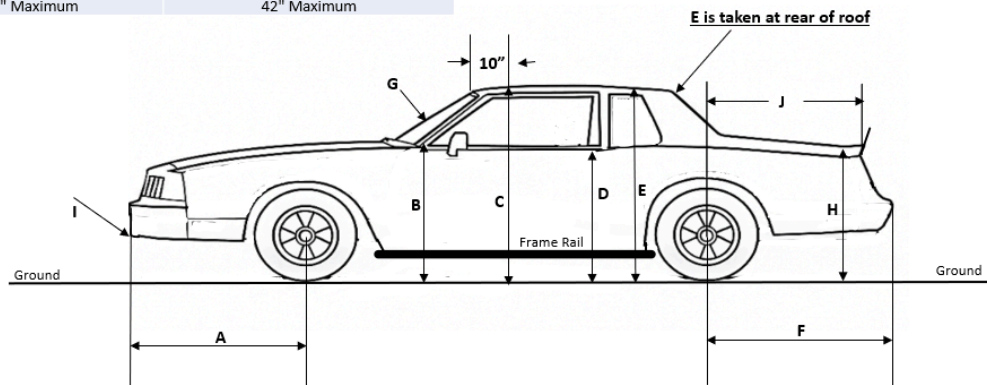
1. Refer to Weight sheet for your exact weight on page 16.
2. Weight penalties or adjustments may be assessed on a case by-case basis for unusual circumstances.
3. All ballast must be painted white and have your car number on them.
4. No piece of ballast may be less than 5 pounds.
5. All ballast must be securely mounted to the frame or roll cage only.
6. No ballast may be in the driver's compartment.
7. All weights will be checked on the racetrack scales with the driver in the car.
8. All cars' ground clearance is 4¼" except for suspension and exhaust components, and #9 below. This includes aftermarket nose and side skirts.
9. Minimum frame ride height at crossmember is 4".

# BODY SPECIFICATIONS:

## Home Made / Self Fabricated Bodies:

	GM MID-SIZE CAR (METRIC CHASSIS)	GM FULL SIZE CAR
A	47" Maximum	47" Maximum
B	34" Minimum	34" Minimum
C	48" Minimum	48" Minimum
D	34" Minimum	34" Minimum
E	48" minimum	48" Minimum
F	49" Maximum	52" Maximum
G	30 Degree's (+/- 2 Degree's)	30 Degree's (+/- 2 Degree's)
H	37" Maximum	37" Maximum
I	Included in measurement A	Included in measurement A
J	39" Maximum	42" Maximum

C and E must be within 1 1/2" front to rear rake

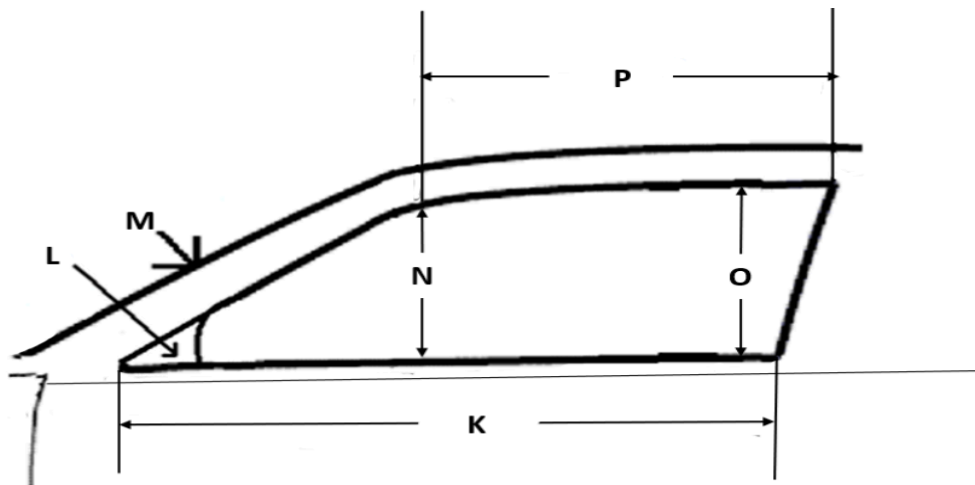


**All measurements are taken at your ride height**

2-20-2026

**SEE KEY ON PAGE 12 FOR LOCATIONS**

	GM MID-SIZE CAR (METRIC CHASSIS)	GM FULL SIZE CAR
K	41" Minimum	41" Minimum
L	5" wide x 5" tall Maximum	5" wide x 5" tall Maximum
M	4" Maximum at any point of A-Pillar	4" Maximum at any point of A-Pillar
N	14" Minimum	14" Minimum
O	14" Minimum	14" Minimum
P	31" Minimum	31" Minimum



SEE KEY ON PAGE 12 FOR LOCATIONS

**All measurements are taken at your ride height**

## **BODY MEASUREMENT KEY:**

- A. Centerline of front wheels to forward most point of front bumper. Measurement taken on centerline of bumper. This includes the splitter.
- B. Rear top edge of fender to ground at ride height. Measurement taken on front of A-post to the ground.
- C. Front roof height at front edge of roof to the ground at your ride height. Measurement taken 10" back from the windshield on centerline of roof.
- D. Front top edge of quarter panel to the ground.
- E. Rear roof height at rear edge of roof to the ground
- F. Rear overhang (Maximum) Measurement taken from the centerline of rear axle to the further most point at rear bumper centerline.
- G. Windshield Angle +/- 2 deg.
- H. Deck height. Measurement taken on quarter panel at the intersection of deck lid and bumper cover to the ground.
- I. Front splitter length. Included in measurement A
- J. Measurement taken from the base of the spoiler to centerline of rear axle.
- K. Horizontal Window opening measured at top of door.
- L. Front lower window gusset.
- M. A-Pillar width.
- N. Side window vertical opening at front of window. Outside of the door to the roof.
- O. Side window vertical opening at rear of window. Outside of the door to the roof.
- P. Horizontal Window opening at top.

## **Manufactured Bodies:**

Any manufactured bodies, for example, Five Star Bodies, AR Bodies, ETC.

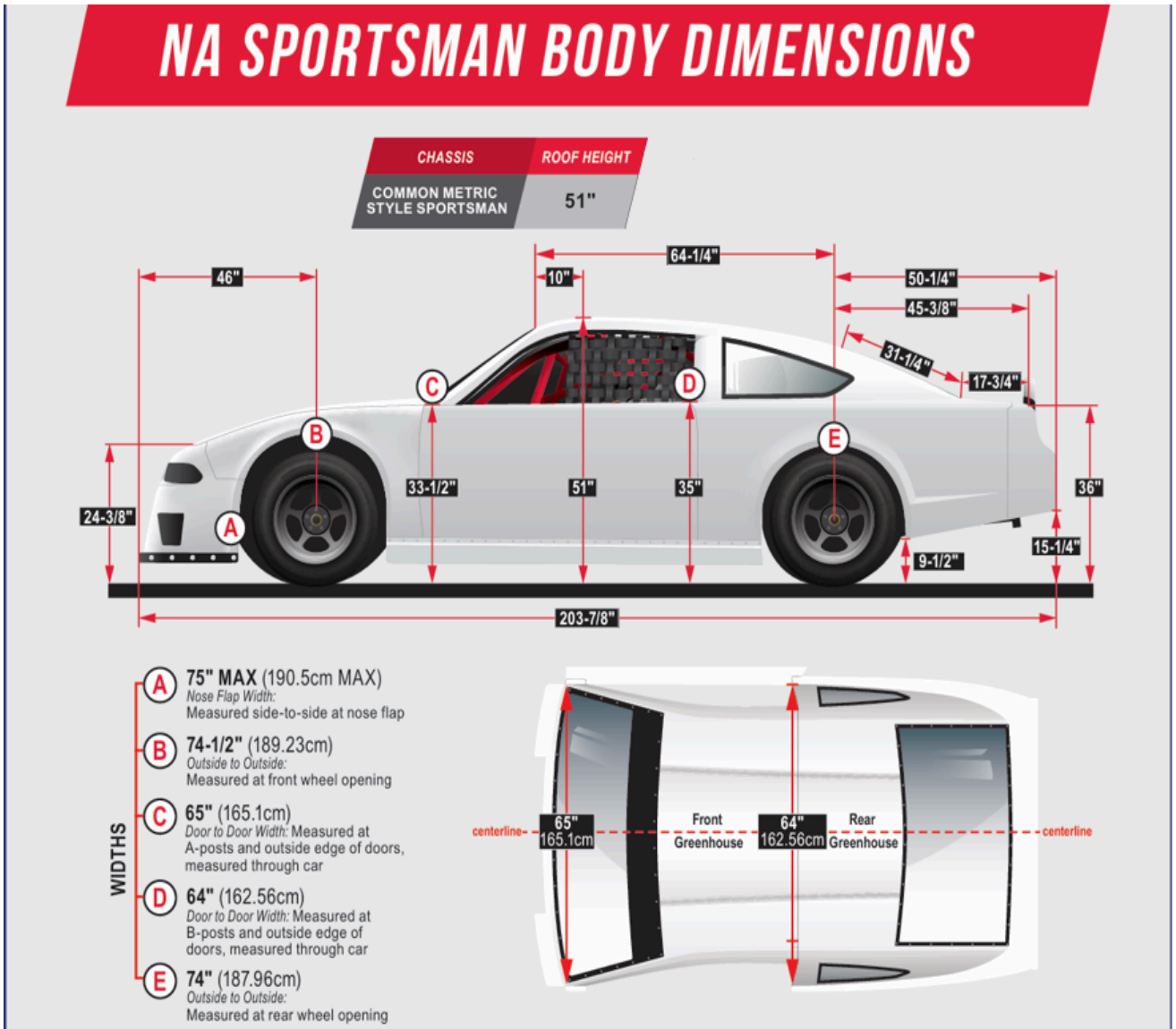
Must be mounted in accordance with the original published manufacturer body guidelines.

FiveStar      NA Sportsman Body. See Page 13

FiveStar      Street Stock Body. See Page 14

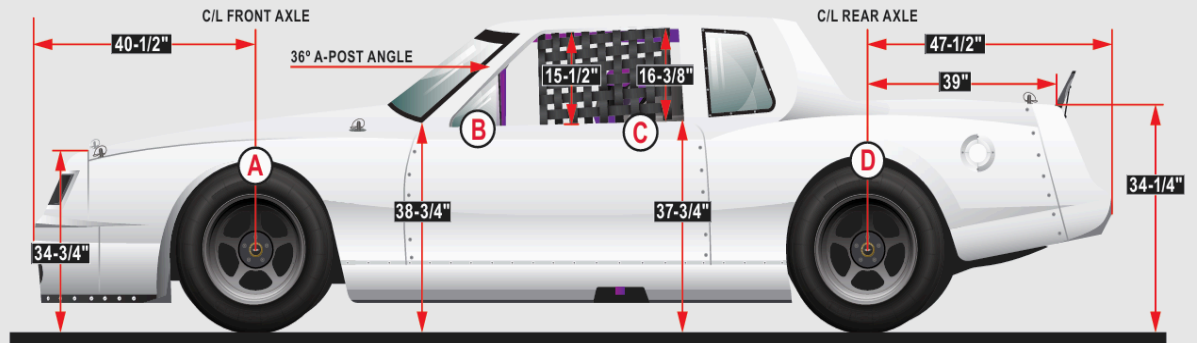
AR Bodies      AR bodies-Muscle-Car-Sportsman. See Page 15

Any questions pertaining to these body styles, please reach out to Elko Race Director at [elkoracedirector@gmail.com](mailto:elkoracedirector@gmail.com)



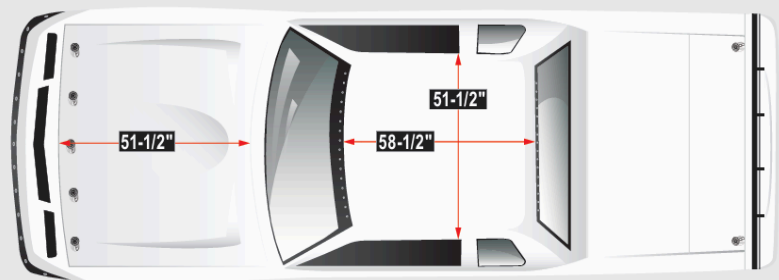
***All measurements are taken at your ride height***

# STREET STOCK BODY DIMENSIONS



WIDTHS

- A** 71"  
Outside to Outside:  
Measured at front wheel opening
- B** 65"  
Door to Door Width: Measured at  
A-posts and outside edge of doors,  
measured through car
- C** 65-1/2"  
Door to Door Width: Measured at  
B-posts and outside edge of  
doors, measured through car
- D** 65-1/2"  
Outside to Outside:  
Measured at rear wheel opening

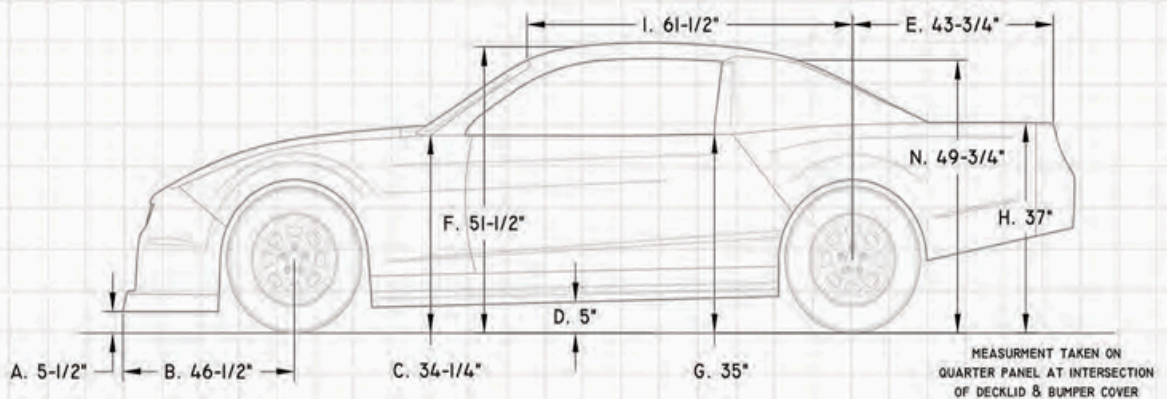
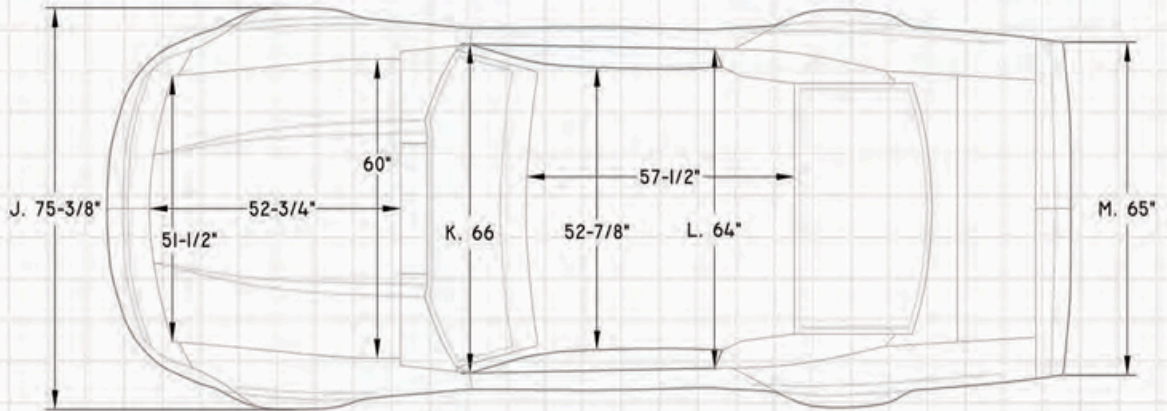


CHASSIS	ROOF HEIGHT	TREAD WIDTH	WHEELBASE
METRIC	52"	63" MAX	108"

**All measurements are taken at your ride height**

# Asphalt Street Stock / Sportsman Dimension Sheet

## AR BODIES



A. NOSE HEIGHT (MIN): from ground to bottom of nose, without valance	5 1/2"	I. FRONT OF ROOF TO CENTER OF REAR AXLE:	61 1/2"
B. FRONT OVERHANG (MAX): on centerline	46 1/2"	J. BODY WIDTH: at wheel wells. REAR approx 74 3/4"	75 3/8"
C. FENDER HEIGHT: RIGHT at front of A-post from ground	34 1/4"	K. DOOR TO DOOR WIDTH: FRONT at "A" post and inside edges of the doors	66"
D. SIDE PANEL CLEARANCE (MIN): from ground	5"	L. DOOR TO DOOR WIDTH: REAR at "B" post and inside edges of the doors	64"
E. REAR OVERHANG (MAX): from base of spoiler at centerline to axle center	43 3/4"	M. Tail Width at rear bumper	65"
F. ROOF HEIGHT (MAX): 10" back from windshield, on centerline	51 1/2"	N. ROOF HEIGHT top center of rear window to ground	49 3/4"
G. DOOR HEIGHT: RIGHT at rear	35"		
H. QUARTER PANEL HEIGHT: at bumper cover/decklid intersection	37"		

**All measurements are taken at your ride height**

<b>Mid-Am Series and CWSSA Super Stock Provisions Chart-All Weights are Post Race No Fuel Allowance</b>									
Sportsman Matrix	602 Crate	Built Motor	5.3 LSW	CWSSA	Mid-Am	Elko TC *	Elko TC *		
Engine	GM Spec	DRP Rules	Try's LS Spec	CWSSA Rules	Mid-Am Rules	Standard Engine	602 Crate		
Base Weight	3000	3125	3100	3125	3100	3100 or 3050 w/ steel body	3000 or 2950 w/ steel body	<p style="text-align: center;">This is for visiting cars. If you are regestered and run regularly at Elko Speedway, you need to follow Elko Thunder Car Rules. 5.3 L engines, see Tech to discuss</p>	
Hydraulic Roller Lifters	N/A	Add 25#	Allowed	CWSSA Rules	Mid-Am Rules	See Rule Section F.A-29	N/A		
Headers	Allowed	Add 50#	Add 50#	Econ Headers	Spec Header	Spec Header add 50#	Spec Header	See spec headers under Thunder car rules Section 1- 10 through 17	
Wheel Base 108"-112"	N/A	N/A	N/A	N/A	108" only	108" +	108" +		
Track Width	63"	63"	63"	63 1/2"	62 1/2"	63 1/2" 108 WB 66" 112" and greater WB	63 1/2" 108 WB 66" 112" and greater WB		
7.25" Clutch	Add 75#	Add 75#	Add 25#	10" Min Clutch	Mid-Am Rules	10" Min Clutch	10" Min Clutch		
Front Percentage	52%	52%	52%	51%	50%	52%	52%		
Left Percentage	58%	58%	58%	58%	58%	58%	58%		
Internal Clutch Transmission	Add 25#	N/A	N/A	CWSSA Rules	Mid-Am Rules	N/A	Add 25#		
Carb	650 4bbl	4412 2bbl	4412 2bbl	4412 2bbl	4412 or 750 4bbl	4412 2bbl	4412 2bbl or 650 HP 4150 #80541-1		
Carb Adaptor	N/A	1 1/2" STD Bore	1 1/2" STD Bore	1 5/6" tapered	1 1/2" STD Bore	N/A	N/A		
602 Straight Bore Adaptor	Add 25#	N/A	N/A	N/A	N/A	N/A	N/A		
Mid-Am 750 4bbl option/ adaptor	N/A	N/A	N/A	N/A	1 1/4" Straight Bore with All Star # 26060 plate w/ .950" inserts w/ 4bbl	N/A	N/A		
Total Weight post-race									

***Raitead lmuuvu 2026***

## **Additions/Updates**

1/20/26

### LOCAL TRACK VISITING EXCEPTION:

Cars from local neighboring tracks that have similar but differing rules, and/or similar performance, may be allowed to participate during the season in the interest of welcoming competition. These cars can be granted eligibility status at the discretion of officials on a case-by-case basis for eligibility and rule book conformity.

Contact Race Director at [Elkoracedirector@gmail.com](mailto:Elkoracedirector@gmail.com) to discuss.